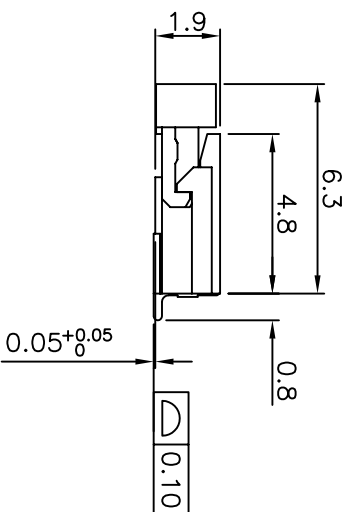
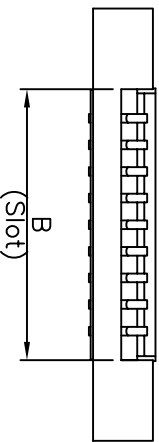
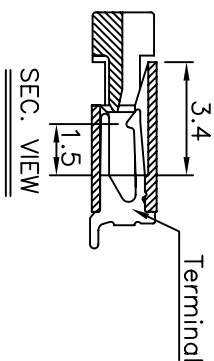
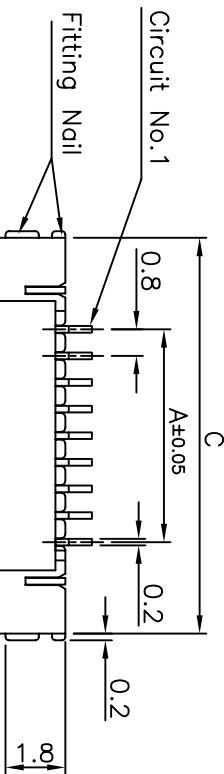


RECOMMENDED APPLICABLE FPC LAYOUT
(THICKNESS:0.3±0.03)



- NOTES:
- MATERIAL: THERMOPLASTIC, HIGH TEMP, UL94V-0; COLOR:BLACK.
 - CONTACT: COPPER ALLOY
 - FITTING NAIL: COPPER ALLOY
 - LATCH: THERMOPLASTIC, HIGH TEMP, UL94V-0; COLOR:WHITE.
2. FINISH:
- CONTACT: 50u" MIN. NICKEL UNDERPLATING OVERALL. 1:GOLD FLASH OVERALL. N:100u" MIN. MATT TIN OVERALL.
 - FITTING NAIL: 50u" MIN. NICKEL UNDERPLATING OVERALL. 1:GOLD FLASH OVERALL. N:100u" MIN. MATT TIN OVERALL.
 - REFLOW SOLDER CAPABLE TO 260°C PER AGES SPEC.
 - SPEC. PLS. REFER TO PS-50563-XXXX-XXX.
 - PACKAGE PLS. REFER TO 88170-xxx-TRP.
 - PART NUMBER 50565-XXXX-XXX

NO OF CKT _____
 PACKING _____
 O:TAPE & REEL _____
 1:TUBE PACKAGE _____
 PLATING _____
 1:GOLD FLASH OVER ALL _____
 N:MATT TIN _____

HOUSING MATERIAL	ACTUATOR MATERIAL	HALOGEN FREE
XXX		
001 HF&BLACK	HF&WHITE	HF

CKT	D Dim A	D Dim B	D Dim C	CKT	D Dim A	D Dim B	D Dim C
4	2.4	4.1	7.9	23	17.6	19.3	23.1
5	3.2	4.9	8.7	24	18.4	20.1	23.9
6	4.0	5.7	9.5	25	19.2	20.9	24.7
7	4.8	6.5	10.3	26	20.0	21.7	25.5
8	5.6	7.3	11.1	27	20.8	22.5	26.3
9	6.4	8.1	11.9	28	21.6	23.3	27.1
10	7.2	8.9	12.7	29	22.4	24.1	27.9
11	8.0	9.7	13.5	30	23.2	24.9	28.7
12	8.8	10.5	14.3	31	24.0	25.7	29.5
13	9.6	11.3	15.1	32	24.8	26.5	30.3
14	10.4	12.1	15.9	33	25.6	27.3	31.1
15	11.2	12.9	16.7	34	26.4	28.1	31.9
16	12.0	13.7	17.5	35	27.2	28.9	32.7
17	12.8	14.5	18.3	36	28.0	29.7	33.5
18	13.6	15.3	19.1	37	28.8	30.5	34.3
19	14.4	16.1	19.9	38	29.6	31.3	35.1
20	15.2	16.9	20.7	39	30.4	32.1	35.9
21	16.0	17.7	21.5	40	31.2	32.9	36.7
22	16.8	18.5	22.3				

宏致電子股份有限公司
 Aces Electronic Co.,Ltd.

品名 (ITEM) 0.8mm ZIP FPC CONN. TYPE
 圖號 (DRAWING) 50565-XXXX-XXX
 比例 (SCALE) 4:1
 單位 (UNITS) mm
 圖檢 (CHK) 1
 圖檢 (CHK) 1
 圖檢 (CHK) 1
 圖檢 (CHK) 1

0	NEW DRAWING	08/10/08	DYE
REV	REVISION DESCRIPTION	DATE	SIGNATURE

0	NEW DRAWING	08/10/08	DYE
REV	REVISION DESCRIPTION	DATE	SIGNATURE